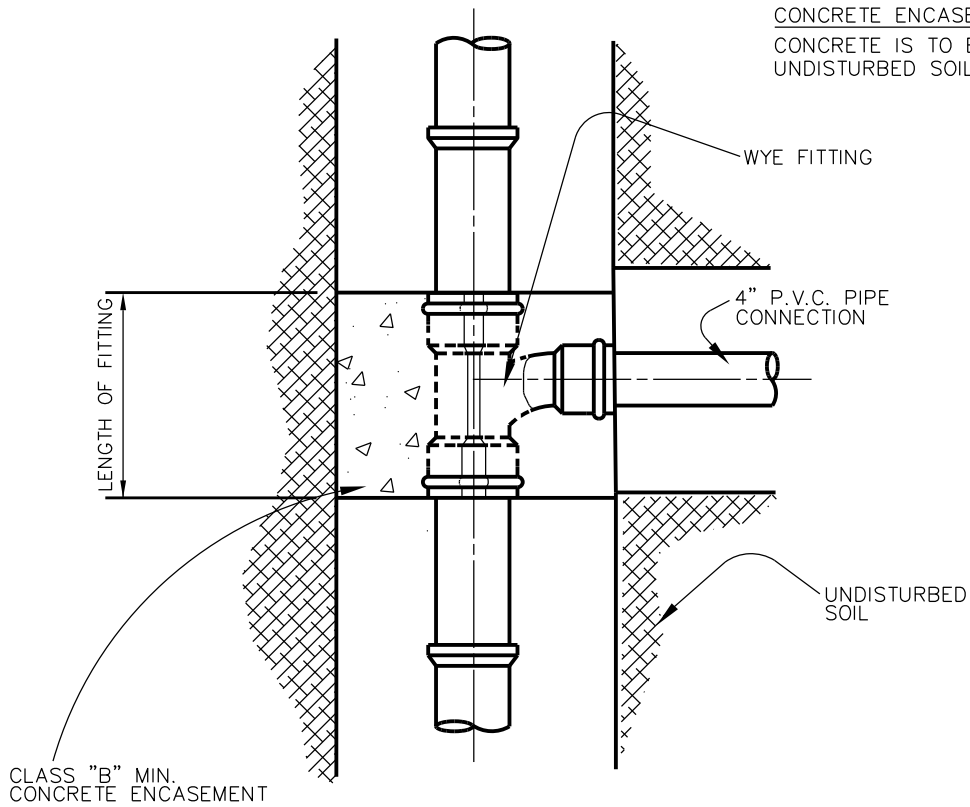
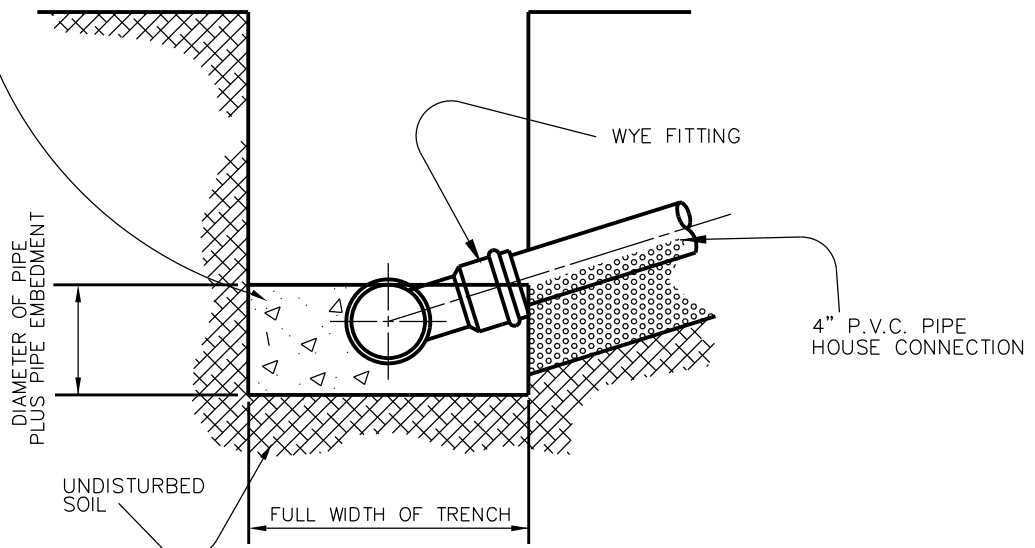


CONCRETE ENCASEMENT NOTE:
CONCRETE IS TO BE POURED AGAINST
UNDISTURBED SOIL.



PLAN VIEW



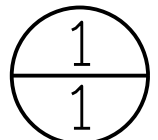
SECTION THRU TRENCH
TYPICAL SEWER
SERVICE CONNECTION

N.T.S.

GENERAL NOTES:

1. A RESIDENTIAL DOUBLE CLEANOUT IS REQUIRED AT THE PROPERTY LINE SEE TYPICAL WASTEWATER DOUBLE CLEANOUT SERVICE CONNECTION DETAILS.
2. SEWER SERVICE LATERAL IS TO BE:
 - A. P.V.C.—SDR 35
 - B. MINIMUM OF 4" IN DIAMETER
3. EMBEDMENT OF LATERAL: PER EMBEDMENT DETAIL.

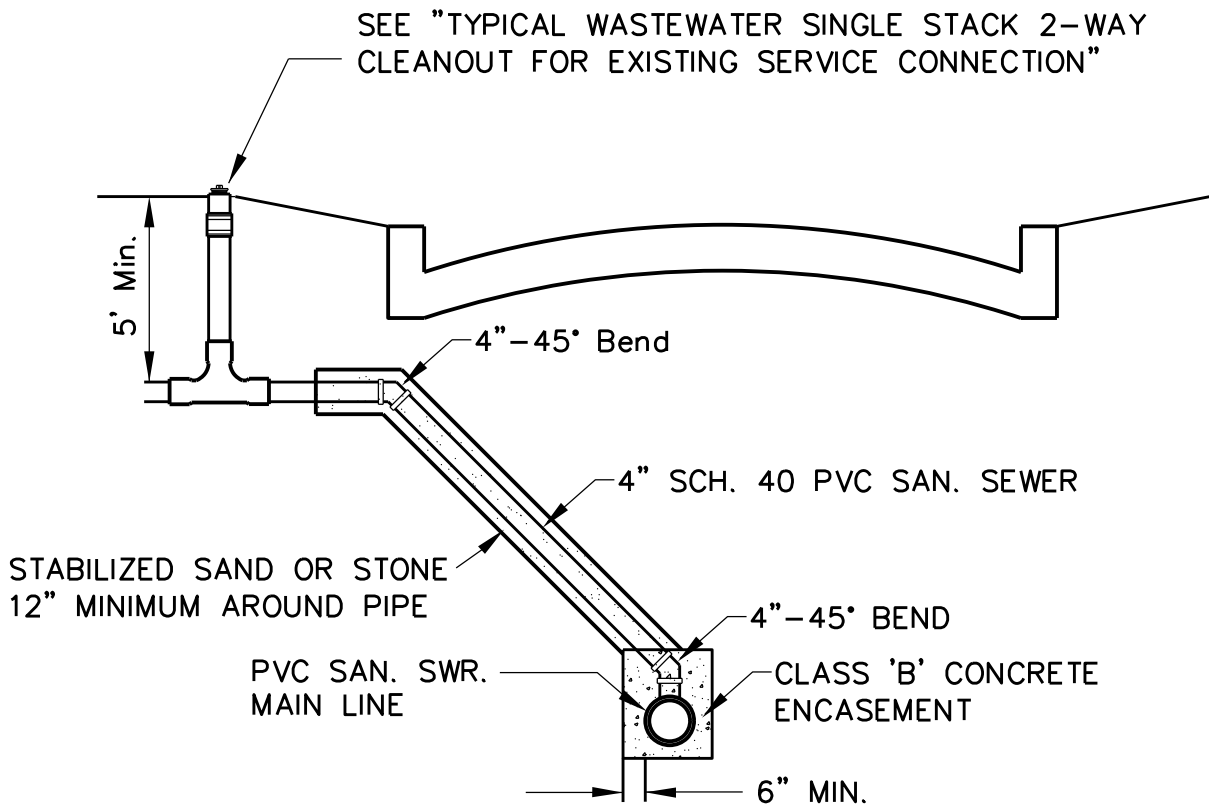
Revision Date:



Scale : N/A	Date : 06/01/05
Design :	
Drawn : JMK	
Dwg. File : LAT_001.DWG	
Project No. : STANDARD-DETAILS	

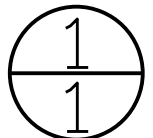


WASTEWATER
SERVICE CONNECTION



DEEP CUT WASTEWATER CONNECTION
FOR MAIN LINE CONNECTION 12' OR DEEPER

(N.T.S.)



Revision Date: 01/09

Scale : N/A	Date : 06/01/05
Design :	
Drawn : GAV	
Dwg. File : LAT_002.DWG	
Project No. : STANDARD-DETAILS	



**DEEP CUT WASTEWATER
 CONNECTION FOR SERVICE
 CONNECTION 12' OR DEEPER**

PAGE

2